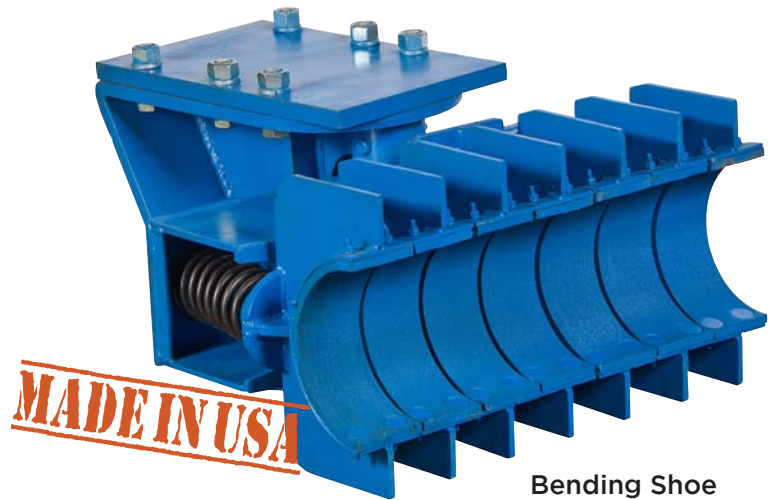


# Tractor Bending Shoe

*Versatile and rugged*

## The Sawyer Value

- Available for pipe sizes 3" - 16"
- All Bending Shoe sizes work on the same adapter
- Optional mount with adapter plate, pins and springs fits all sizes
- 1 year warranty



**Bending Shoe  
(305B)**

\*Shipped with a metal strap that must be removed

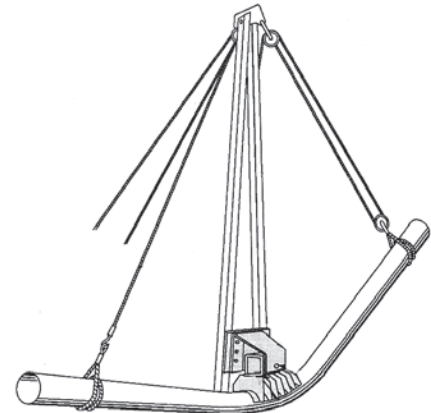
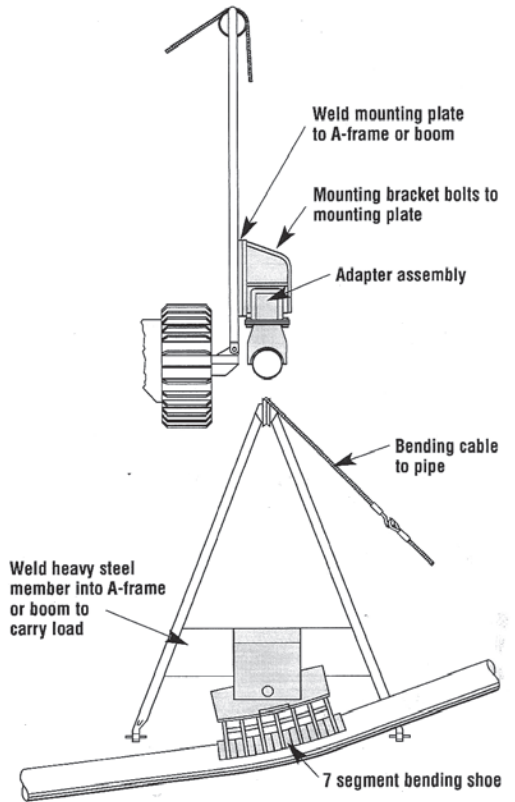
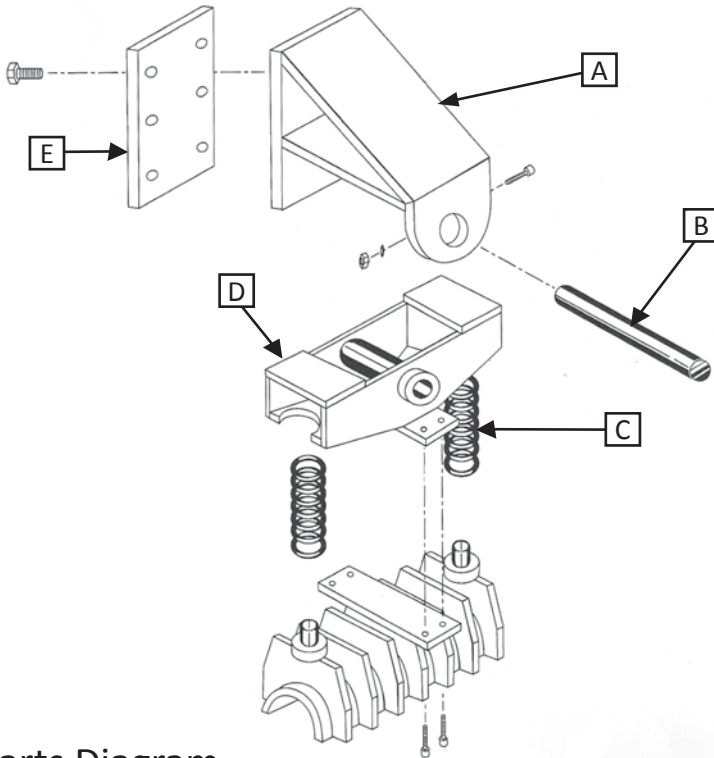
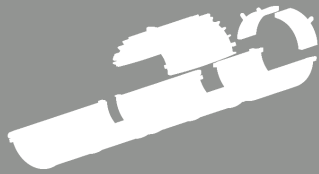
**Padded to  
protect pipe**

**Rugged  
design**

Model No.	Description	Est. Shipping Wgt.
305B-3	Tractor Bending Shoe - Padded 3"	138 lbs. 2672.2 kg
305B-4	Tractor Bending Shoe - Padded 4"	142 lbs. 306.2 kg
305B-6	Tractor Bending Shoe - Padded 6"	167 lbs. 374.2 kg
305B-8	Tractor Bending Shoe - Padded 8"	180 lbs. 408.2 kg
305B-10	Tractor Bending Shoe - Padded 10"	202 lbs. 430.9 kg
305B-12	Tractor Bending Shoe - Padded 12"	248 lbs. 464.9 kg
305B-14	Tractor Bending Shoe - Padded 14"	275 lbs. 499.0 kg
305B-16	Tractor Bending Shoe - Padded 16"	310 lbs. 535.2 kg

### **30 Seconds (or less!) Sales Statement:**

Sawyer Mfg.'s Tractor Bending Shoes are designed to withstand the harsh conditions of the pipeline. Padding protects the pipe during bending. The available sizes range from 3" to 16". Optional mount includes an adapter plate, pins and springs that will fit all sizes for Bending Shoes.



Parts Diagram

- A. Mounting Bracket (42AD)
- B. Pin (35AD)
- C. Spring - pair (51AD)
- D. Adapter (41J)
- E. Mounting Plate (114Q)

For Additional Resources:

**About Us**  
We represent your business!

**SAWYER MFG COMPANY**  
Tractor Bending Shoe  
Model 305B  
17" x 17" x 16"

**A Note of Caution**  
This equipment has been designed for use as a pipe bending machine. It is not to be used for any other purpose. The user must read and understand the operator's manual and safety instructions before using this equipment. The user must also read and understand the safety instructions on the equipment. The user must also read and understand the safety instructions on the equipment. The user must also read and understand the safety instructions on the equipment.

**Tractor Bending Shoe**

**Tools Needed**

**Warranty**  
Sawyer Manufacturing Company warrants this product to be free from defects in material and workmanship for a period of one year from the date of purchase. This warranty does not cover normal wear and tear or damage caused by misuse, neglect, or improper maintenance. The user must read and understand the operator's manual and safety instructions before using this equipment. The user must also read and understand the safety instructions on the equipment. The user must also read and understand the safety instructions on the equipment.

**SAWYER MFG COMPANY**

**A ROADMAP**  
for distributors and partners to maximize sales and product potential.

Now goals for accessibility and customer service.

**Sales Programs** **Staff Training** **Promotion**



Contact Sawyer Mfg. Co for Tractor Bending Shoe Manual and Marketing Material

<http://www.sawyerfmfg.com>



**SAWYER MFG COMPANY**

7799 S Regency Drive • Tulsa, OK 74131  
P (918) 834-2550 • F (918) 834-0318